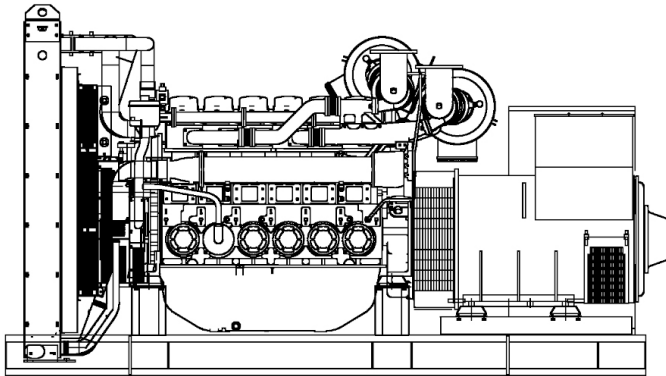


POWERFULL - P 805 U



POWERFULL "U"



For illustrative purposes only

ENGINE

Engine brand	PERKINS
Engine model	4006-23TAG3A
Cylinders	6
Speed	1500 r.p.m.
Cubic capacity	22.92 l
Air intake	Turbocharged
Standard voltage	24 Vdc
Optional voltage	Vdc
Sae	0-18
BMEP	2452 kPa
Cooling	Water
Flywheel P.R.P. Power	675.0 kW
Flywheel Stand-by Power	756.0 kW
Fuel Cons. at 100% (L.T.P.)	194.0 l/h
Fuel Cons. at 100% (P.R.P.)	172.0 l/h
Fuel Cons. at 75% (P.R.P.)	130.0 l/h
Fuel Cons. at 50% (P.R.P.)	90.0 l/h
Electronic regulator	Standard
Precision class	G2
Oil quantity	122.7 l
Engine Antifreeze capacity	105.0 l
Radiator type	Tropical
Heat from radiator	541.0 kW
Heat from exhaust	741.0 kW
Heat from radiation	86.0 kW
Exhaust temperature	500 °C
Cooling air flow	1200.00 m ³ /min
Combustion air flow	73.00 m ³ /min
Exhaust gas flow	193.00 m ³ /min
TA Luft	On request
TA Luft/2	On request
EPA	Not available
Stage	Not available

MAIN DATA

Continuous power (PRP)	800.0 (kVA)
Continuous power (PRP)	640.0 (kW)
Stand-by power (LTP)	860.0 (kVA)
Stand-by power (LTP)	688.0 (kW)
Voltage • Frequency • Power Factor	400V • 50Hz • 0.8 cosφ

DIMENSIONS AND WEIGHT

Width	2100 mm
Length	4000 mm
Height	2100 mm
Weight	6300 kg

ALTERNATOR

Alternator brand	STAMFORD
Alternator model	HCI6G
P.R.P. Power	810.0 kVA
L.T.P. Power	860.0 kVA
Connection	Series star
Phases	3P+N
Winding	12 terminals Winding 311
Terminal Number	12 nr.
IP Protection	23
Electronic regulator	MX321
Precision	0.5 ± %

BASEFRAME

Model	ST60
Standard tank	0 l
Optional tank	0 l
Oversized tank*	0 l

CANOPY & SILENCER

Canopy model	SENZA COFANO
Silencer model	MS 35
Silencer outlet diameter	168.0 mm

Standard reference conditions temperature 25°C, altitude 100m asl, relative humidity 30%, atmospheric pressure 100 kPa (1 bar), power factor 0.8 lag, balanced load - non distortional. Fuel consumption is nominal and refers to specific weight 0,850kg/l. Sound power values refer to free field conditions: the installation site may influence the values. Dimensions, weights and other specifications contained in the technical data sheet and related attachments are nominal, subject to tolerances and refer to the model with standard equipment; any optional and additional equipment/accessories can modify weight, dimensions, performance.

P.R.P. Prime Power-Continuous power at variable load: The power that a genset can supply in continuous service at a variable load for an unlimited number of hours per year while respecting the maintenance intervals established in the environmental conditions stated by the Manufacturer. according to ISO8528-1. The average power supplied over time and any applicable overload must be less than the percentages stated by the Manufacturer.

L.T.P. Limited-time running power-Limited power: The maximum power that a genset can supply for a limited time respecting the maintenance intervals established in the environmental conditions stated by the Manufacturer according to ISO 8528-1. The number of hours per year is stated by the Manufacturer. Overload is not permitted.

The data contained in this document is nominal and refers to the standard equipped model and is not binding. Visa S.p.A. reserves the right to revise the information without notice per our policy of continuous product development and improvement.

